



MASTERPIECES
MADE IN GERMANY

Switch Contact

SG-30



OVERVIEW

Operating principle

- Reed contact

Application

- The switch contact is for use on mechanical flow meters for the electronic monitoring of flow limits.

Features

- Normally open or Change over
- Bi-stable switching behavior within the specified measuring range
- Sealed housing IP 65 or IP67 (depending on connection)

Connection options

- Connector in compliance with EN 175301-803, Form A
- Connector M12x1
- Cable

Notice

- Refer also to the Data Sheets and Operating Instructions of the respective flow sensor!
- **Download: www.meister-flow.com**

■ OPERATING DATA

Operating temperature

Standard

EN 175301-803 -20 °C – 120 °C

Cable -20 °C – 120 °C

M12x1 -20 °C – 85 °C

High temperature version

EN 175301-803 -20 °C – 160 °C

Cable -20 °C – 160 °C

For switch contacts in explosion-proof design according to ATEX directive, changed operating data apply. Refer to data sheet for SG-30 EX!

For UL Recognized devices, changed operating data apply. Refer to data sheet for SG-30 UL!

Download: www.meister-flow.com

■ COMBINATION OPTIONS

Media

Device

H ₂ O	DUG	DWG
	DWM	DWM/A
	DUM	DUM/A
	RVM/U-1	RVM/U-2
	RVM/UA-1	RVM/UA-2
	RVO/U-1	
WBM		WBMC
	RVM/UM	

Oil

DKG-1	
DKM-1	DKM-2
DKM/A-1	DKM/A-2
DKME-1	DKME/A-1

Air

DWG-L	
DWM-L	DWM/A-L
RVM/U-L1	RVM/U-L2
RVM/UA-L1	RVM/UA-L2
RVO/U-L1	

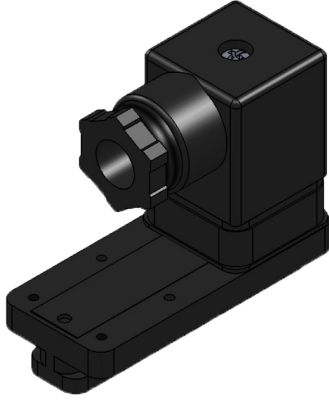


Proudly Distributed By

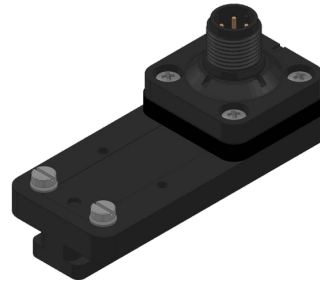
TRIDENT AUSTRALIA
FLUID SYSTEMS & COMPONENTS

CONNECTION OPTIONS

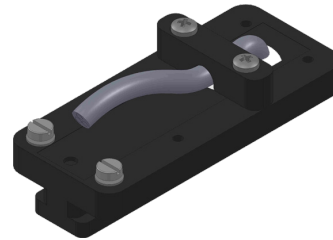
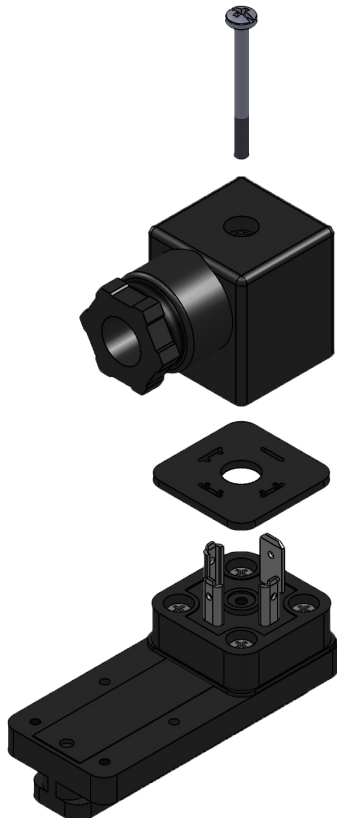
Connector in compliance with EN 175301-803



Connector M12x1



Cable



SG-30 3 0001 12-15 EM

ELECTRICAL DATA

Change over (COC)	250V · 1,5A · 50VA ⁽¹⁾
Normally open (NOC)	250V · 3A · 100VA
Change over M12x1 (-20 °C – 85 °C)	250V · 1,5A · 50VA ⁽¹⁾
Normally open M12x1 (-20 °C – 85 °C)	250V · 3A · 100VA
Change over PLC (COC)	250V · 1A · 60VA

⁽¹⁾ Minimum load 3VA

ELECTRICAL CONNECTION

- Connector in compliance with EN 175301-803, Form A (DIN 43650, Form A)
- Connector M12x1, 4-pin
- Cable (1 m)

Ingress Protection

IP65: Connector in compliance with EN 175301-803, Form A
IP67: Cable or connector M12x1

Output signal

The contact opens / changes when the flow decreases below the set point.

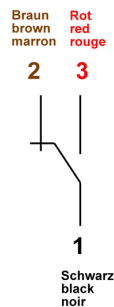
Power supply

Not required (potential-free reed contacts)

CONNECTION DIAGRAM

Connector in compliance with EN 175301-803 and cable

Change over (COC)



Normally open (NOC)



Connector M12x1

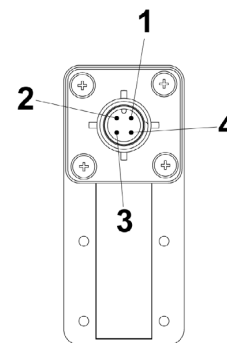
Change over (COC)



Normally open (NOC)



Pin assignment



SG-30 4 0001 12-15 E M